



KHX1600C9D3T1K2/8GX

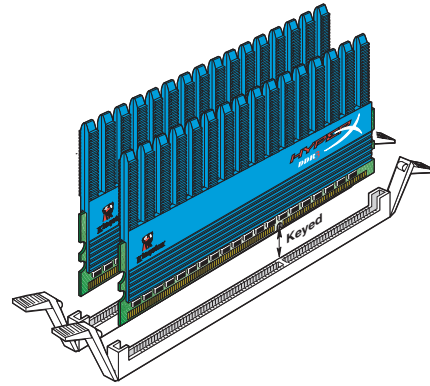
8GB (4GB 512M x 64-Bit x 2 pcs.) DDR3-1600MHz
CL9 240-Pin DIMM Kit

DESCRIPTION:

Kingston's KHX1600C9D3T1K2/8GX is a kit of two 512M x 64-bit (4GB) DDR3-1600MHz CL9 SDRAM (Synchronous DRAM) memory modules, based on sixteen 256M x 8-bit DDR3 FBGA components per module. Each module kit supports **Intel® XMP** (Extreme Memory Profiles). Total kit capacity is 8GB. This module kit has been tested to run at DDR3-1600MHz at a low latency timing of 9-9-9-27 at 1.65V. The SPD's are programmed to JEDEC standard latency DDR3-1333MHz timing of 9-9-9 at 1.5V. This 240-pin DIMM uses gold contact fingers and requires +1.5V. The JEDEC standard electrical and mechanical specifications are as follows:

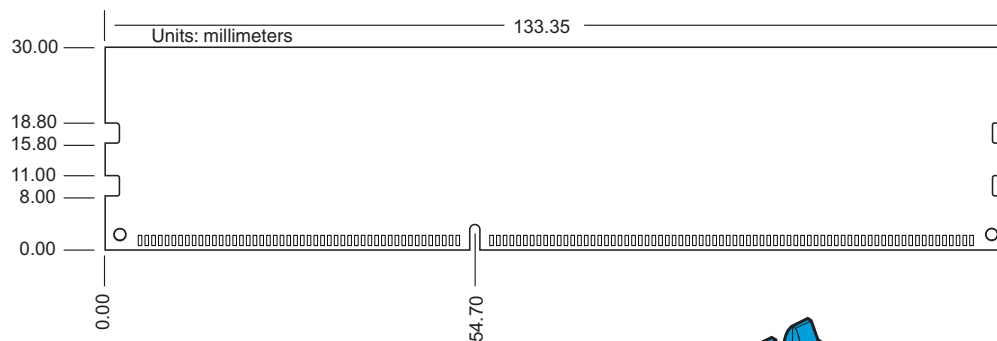
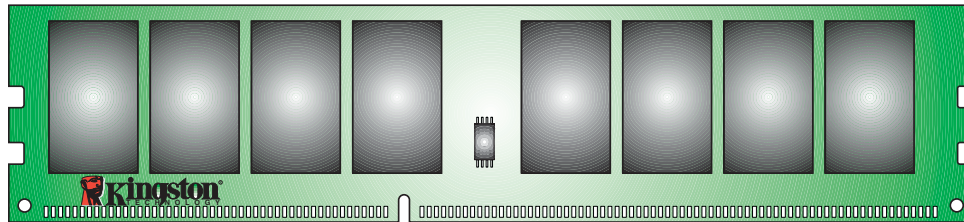
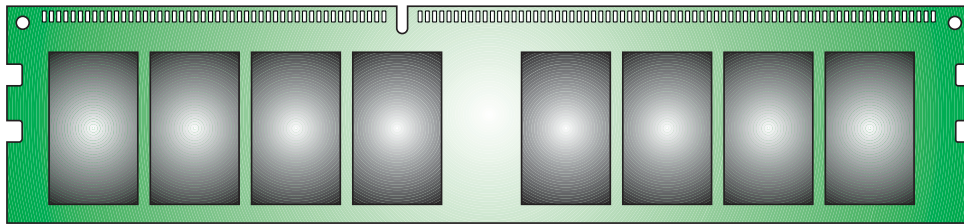
FEATURES:

- ☑ JEDEC standard 1.5V ± 0.075V Power Supply
- ☑ VDDQ = 1.5V ± 0.075V
- ☑ 667MHz fCK for 1333Mb/sec/pin
- ☑ 8 independent internal bank
- ☑ Programmable CAS Latency: 5,6,7,8,9,10
- ☑ Posted CAS
- ☑ Programmable Additive Latency: 0, CL - 2, or CL - 1 clock
- ☑ Programmable CAS Write Latency(CWL) = 7 (DDR3-1333)
- ☑ 8-bit pre-fetch
- ☑ Burst Length: 8 (Interleave without any limit, sequential with starting address "000" only), 4 with tCCD = 4 which does not allow seamless read or write [either on the fly using A12 or MRS]
- ☑ Bi-directional Differential Data Strobe
- ☑ Internal(self) calibration : Internal self calibration through ZQ pin (RZQ : 240 ohm ± 1%)
- ☑ On Die Termination using ODT pin
- ☑ Average Refresh Period 7.8us at lower than TCASE 85°C, 3.9us at 85°C < TCASE ≤ 95°C
- ☑ Asynchronous Reset
- ☑ PCB : Height 2.401" (61.00mm) w/ heatsink, double sided component



PERFORMANCE:

- | | |
|--|--------------------------------|
| ☑ CL(IDD) | 9 cycles |
| ☑ Row Cycle Time (tRCmin) | 49.5ns (min.) |
| ☑ Refresh to Active/Refresh Command Time (tRFCmin) | 160ns |
| ☑ Row Active Time (tRASmin) | 36ns (min.) |
| ☑ Power | 2.225 W (operating per module) |
| ☑ UL Rating | 94 V - 0 |
| ☑ Operating Temperature | 0° C to 85° C |
| ☑ Storage Temperature | -55° C to +100° C |

MODULE DIMENSIONS:

w/ heatsink assembly

