



Features



- Ultimate Overclocking Thermal Structure Design
- Ultra Powerful Dual 120mm VR™ Fan and Eye-Catching Cover
- Universal Socket Compatibility & Accessory Package

Detailed Feature

Ultimate Overclocking Thermal Structure Design

- excellent cooling capacity – supports 220W
- 0.5mm aluminum fins with large surface for heat dissipation
- 5 x Ø8 mm-U-shape copper heat pipes for accelerated heat conduction
- tower side flow design efficiently optimizes cooling performance.

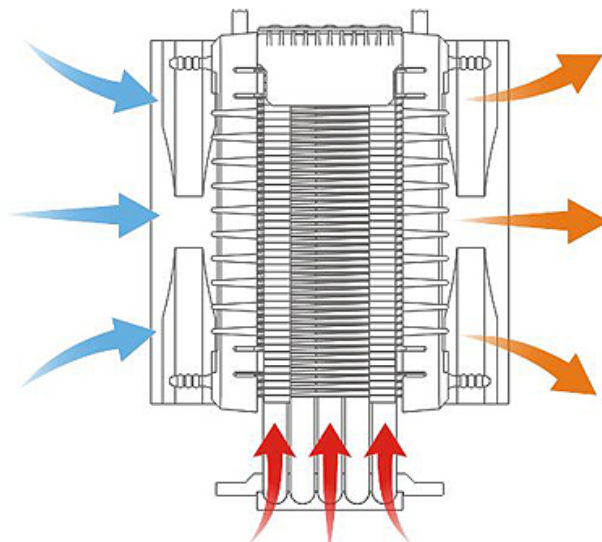
Ultra Powerful Dual 120mm VR™ Fan and Eye-Catching Cover

- 120 mm VR™ Fan, adjustable between 1200 and 2500 RPM max. for best overclocking performance
- additional 120mm Fan enhances cooling performance
- black and red cooler top add aesthetical appearance

Universal Socket Compatibility & Accessory Package

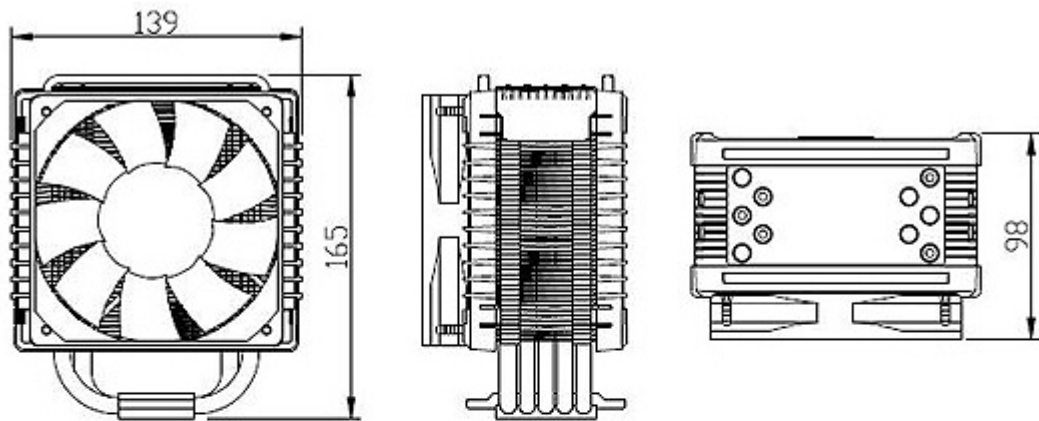
- universal socket support:
Intel: LGA1366, LGA1156, LGA775
AMD: AM3, AM2+, AM2
- premium thermal grease maximizes heat transfer from the CPU into the cooler copper base for rapid dissipation

Smart Thermal Management System

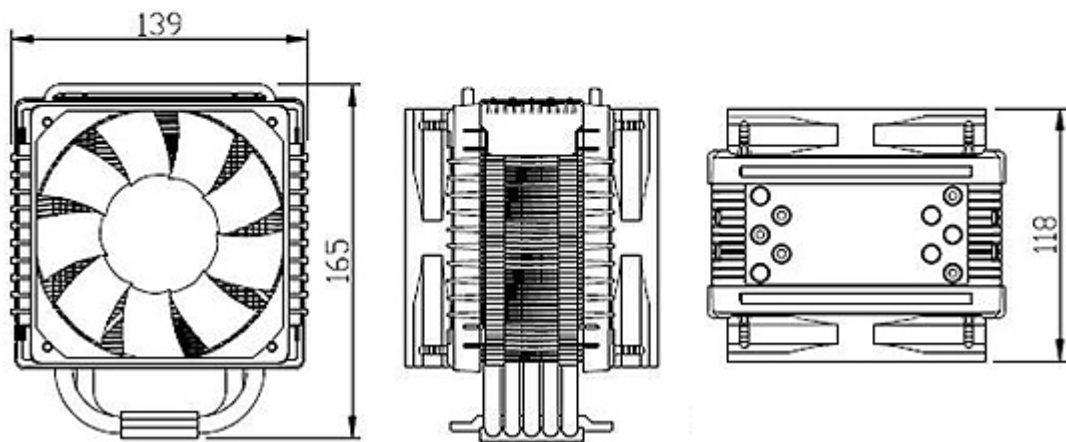


Dimension

Single Fan



Dual Fan



Specification

Model	CLP0564
Compatibility	<ul style="list-style-type: none"> - Intel Socket LGA 1366 Core i7 LGA 1156 Core i7 Core i5 Core i3 LGA 775 Core 2 Extreme Core 2 Quad Core 2 Duo Pentium D Pentium 4 Pentium Celeron D Celeron - AMD Socket AM3 Phenom II X4 Phenom II X3 Phenom II X2 AM2+ / AM2 Phenom X4 Phenom X3 Athlon 64 FX Athlon 64 X2 Athlon 64

Sempron

Dimension	139(L) x 98(W) x 165(H) mm
Heatsink Material	Aluminum Fins Aluminum & Copper Base
Heatpipe	Φ 8mm x 5PCS
Fan Dimension	120(L) x 120(H) x 25(W) mm
Rated Voltage	12 V
Rated Current	0.5 A
Started Voltage	6 V
Power Input	6 W
Fan Speed	1200 ~ 2500 RPM
Max. Air Flow	101.6 CFM
Max. Air Pressure	4.2 mmH ₂ O
Noise	20 ~ 43 dBA
Life Expectation	50,000 hrs @ 40°C
Connector	3 Pin
Weight	1042 g